

Orderform for Swaging Dies (in mm)



TALURIT SAHM
SEILKLEMMEN GMBH

Name:

Contact:

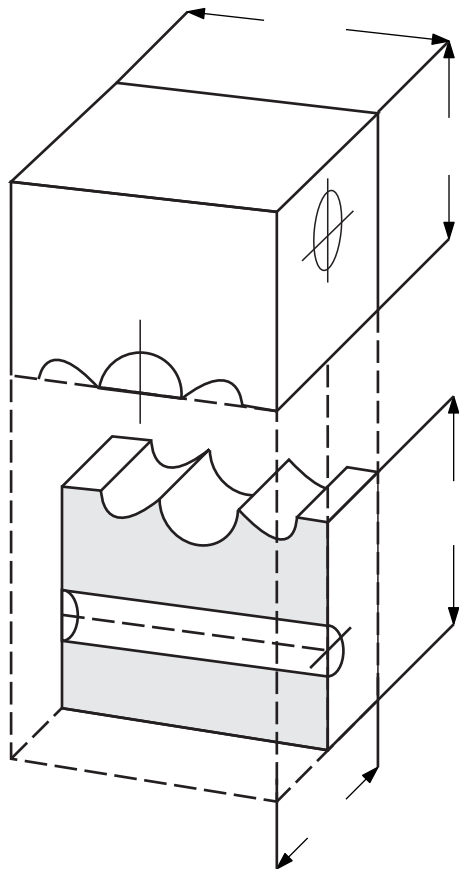
Adresse:

Please fax to:

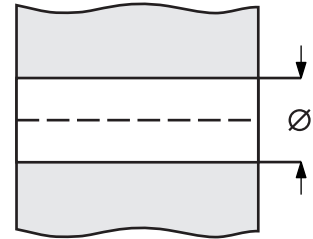
FAX: +49 (0) 471 33328

Telephone:

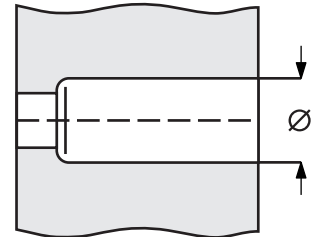
Herwigstraße 38
27572 Bremerhaven



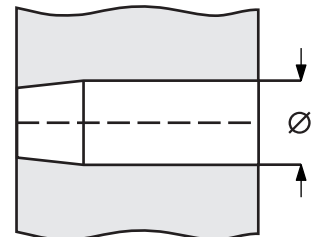
straight through
Ø



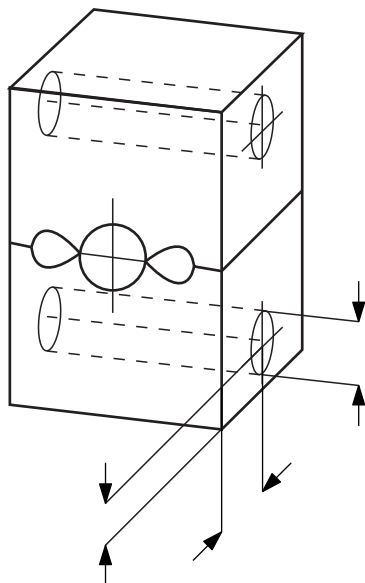
rounded
Ø



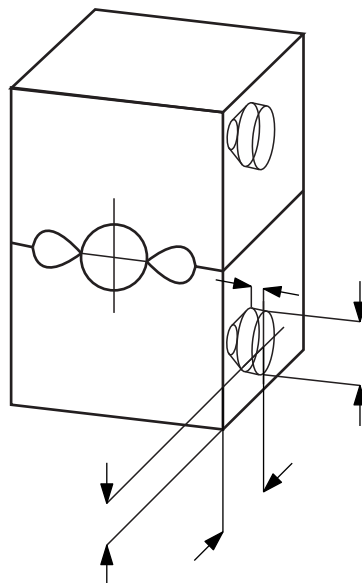
taper
Ø



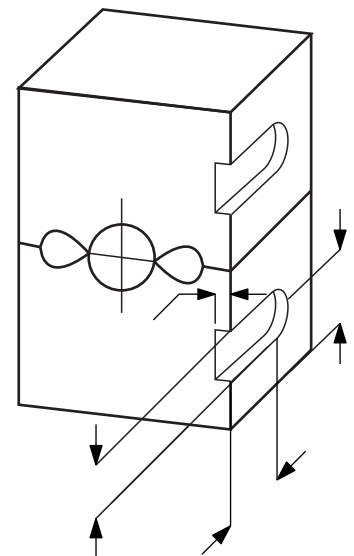
bolt hole



hole



slot



Date:

Signature: _____